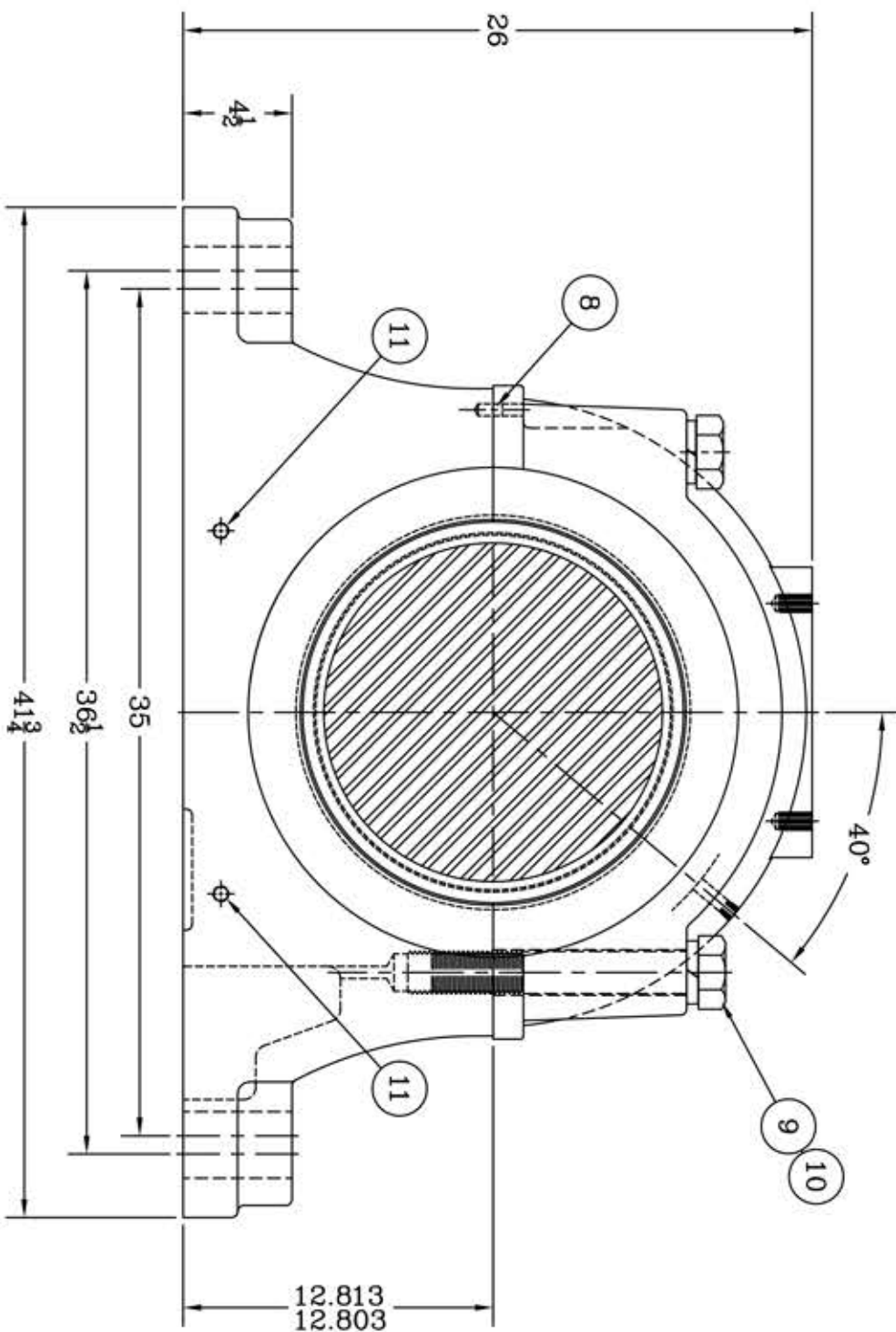
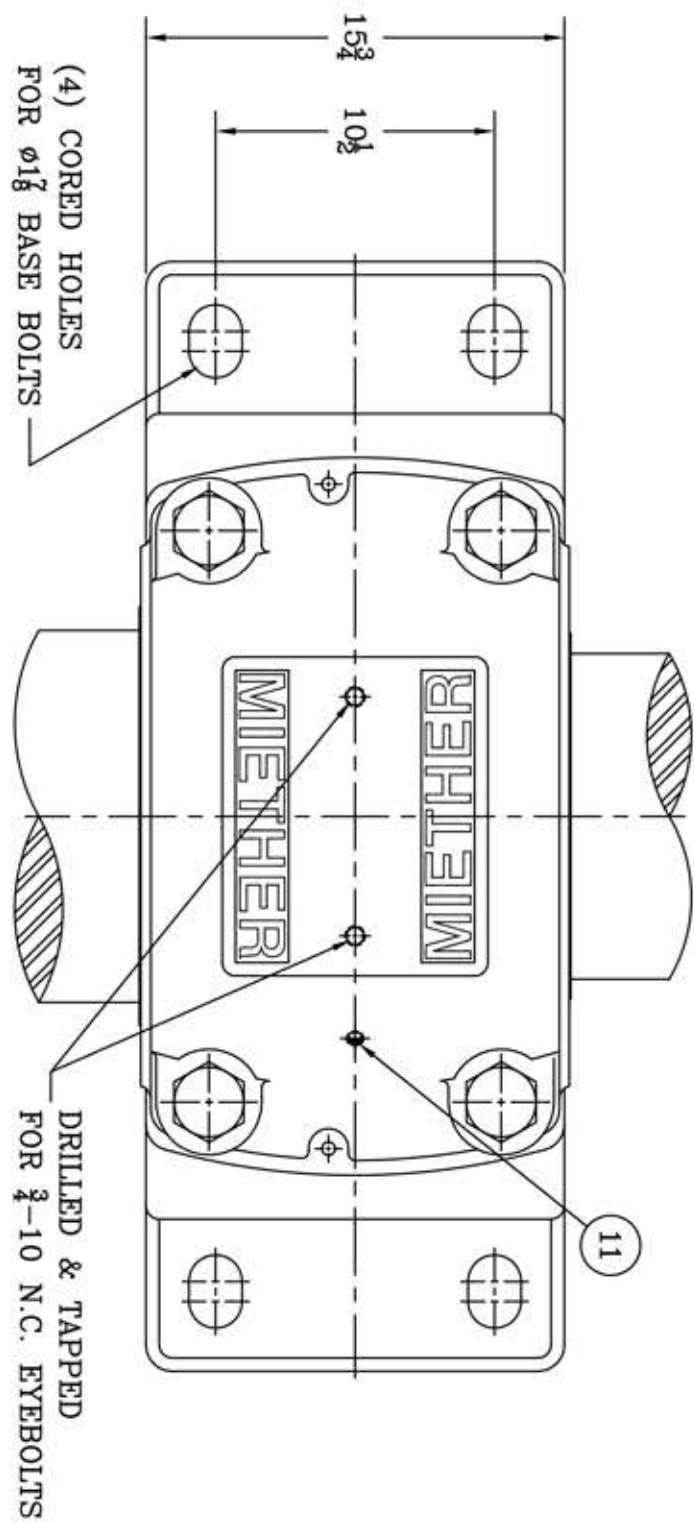
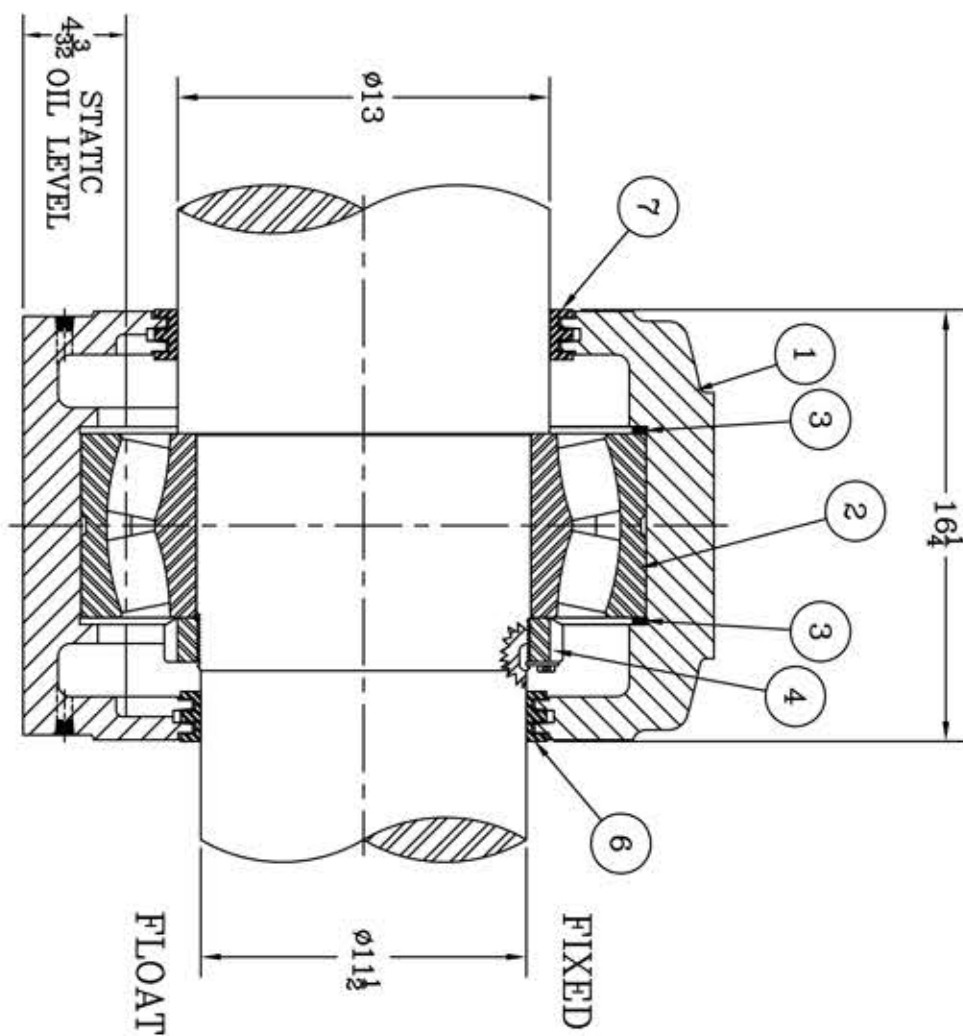


This drawing is the sole property of Miether Bearing Products and contains confidential and proprietary information. It is being provided to you for your use and may not be disclosed to any third party or used for any other purpose without Miether's prior written consent. The [materials] must be returned to the Company upon its demand. Your acceptance of these materials constitutes your acceptance of the foregoing terms.

C-35316

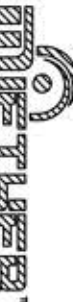


ITEM	DESCRIPTION	DETAIL	REQUIRED
1	HOUSING SDAFD 3260 13 x 11 1/2	C-	1 1
2	SPHERICAL ROLLER BEARING	23164/W-33	1 1
3	STABILIZING RING A-8970-2	A-29630	2 0
4	LOCKNUT N-060	B-10051	1 1
5	LOCKPLATE P-60	A-10155	1 1
6	TRIPPLE SEAL RING ER-856	A-16010	1 1
7	TRIPPLE SEAL RING ER-846	A-11637	1 1
8	DOWEL	Ø 1/2 x 1" LONG	2 2
9	CAP BOLT HEX. HEAD GR.5	1 1/4-5 NC x 11" LONG	4 4
10	LOCKWASHER	1 1/2 SPLIT MED.	4 4
11	PIPE PLUG	3/8-18 NPT	5 5



HOUSING MATERIAL - DUCTILE IRON
ASTM A536 GR 65-45-12

REVISIONS	
SYMBOL	DESCRIPTION
✓	16
✓	32
✓	63
✓	125
✓	250
✓	500
✓	1000



 AN ALCO INDUSTRIES COMPANY
 ODESSA, TX. USA

TOLERANCE: UNLESS OTHERWISE SPECIFIED
 FRACTIONS +- 1/32" ANGLES +- 0°-30'
 DECIMALS +- .005" WELD +- 1/16"
 CASTING +- 1/16"

SDAFD 23260 13-00 x 11-08
 ASSEMBLY DRAWING
 SCALE NTS
 DRAWN PCF
 DATE 1/10/13
 CHK:

ASSEMBLY NO.
 DRAWING NO. C-35316